

Dynapac CA250D

Single drum vibratory rollers



Technical data

Masses	
Max. operating mass	12100 kg
Operating mass (incl. ROPS)	11200 kg
Operating mass (incl. Cab)	11350 kg
Module mass (front/rear)	6300/4900 kg

Traction	
Speed range	0 -10 km/h
Tyre size (8 ply)	23,1x26
Theor. gradeability	57 %
Vertical oscillation	±9°

Compaction	
Static linear load	30 kg/cm
Nominal amplitude (high/low)	1.7/0.8 mm
Vibration frequency (high/low amplitude)	33/33 Hz
Centrifugal force (high/low amplitude)	248/121 kN

Engine	
Manufacturer/Model	Cummins 4BT 3.9-C
Type	Water cooled turbo Diesel
Rated power, SAE J1995	76 kW (102 hp) @ 2200 rpm

Hydraulic system	
Driving	Axial piston pump with variable displacement. Axial piston motor with constant displacement.
Vibration	Axial piston pump with variable displacement. Axial piston motor with constant displacement.
Steering	Gear pump with constant displacement.
Parking/ Emergency brake	Failsafe multidisc brake in rear axle.
Service brake	Hydrostatic in forward and reverse lever.

Authorised Distributor In Malaysia



FHM EQUIPMENT SDN BHD

No. 45 & 46, Persiaran Industri.
Bandar Sri Damansara. 52200 Kuala Lumpur, Malaysia.

Office No. : 603-6273 5828 / 603-6274 0388
Service Line : 6017-273 3038
Fax : 603-6272 4452

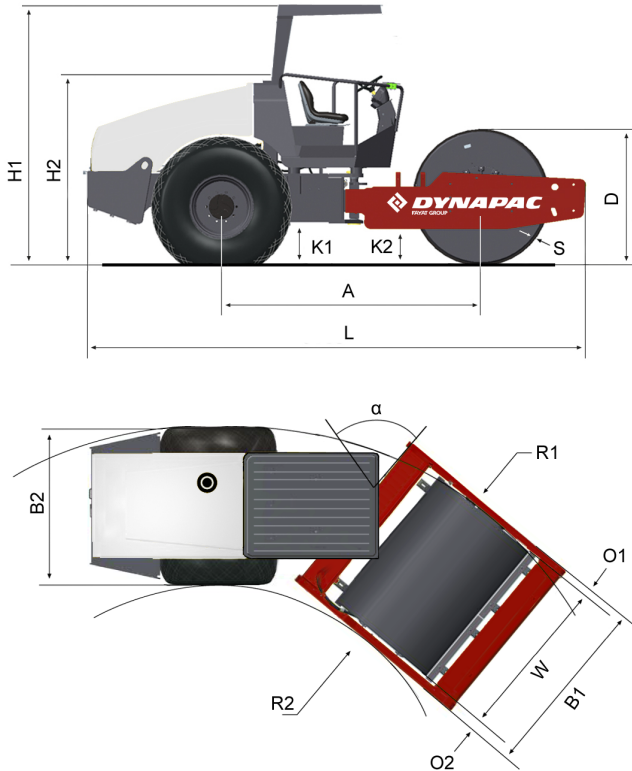
Website : <http://www.fhmequip.com.my>
Email : info@fhmequip.com.my

Dynapac CA250D

Single drum vibratory rollers



Technical data



Dimensions	
A. Wheelbase	2879 mm
B1. Width, front	2324 mm
B2. Width, rear	2130 mm
D. Drum diameter	1523 mm
H1. Height, with ROPS	2952 mm
H2. Height, w/o ROPS/cab	2190 mm
K1. Ground clearance	453 mm
K2. Curb clearance	400 mm
L. Length	5550 mm
O1. Overhang, right	97 mm
O2. Overhang, left	97 mm
R1. Turning radius, outside	5400 mm
R2. Turning radius, inside	3100 mm
S. Drum shell thickness	25 mm
W. Drum width	2130 mm
α. Steering angle	±38°

Authorised Distributor In Malaysia



FHM EQUIPMENT SDN BHD

No. 45 & 46, Persiaran Industri.
Bandar Sri Damansara. 52200 Kuala Lumpur, Malaysia.

Office No. : 603-6273 5828 / 603-6274 0388
Service Line : 6017-273 3038
Fax : 603-6272 4452

Website : <http://www.fhmequip.com.my>
Email : info@fhmequip.com.my